

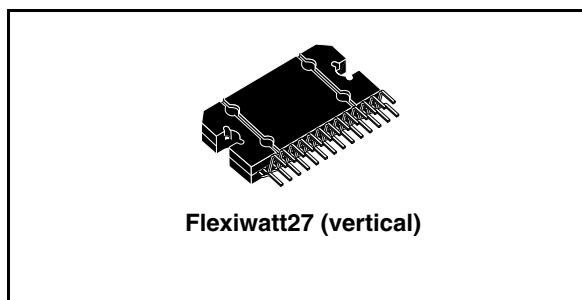
## 4 x 45 W quad bridge car radio amplifier

### Feature

- Superior output power capability:
  - 4 x 50 W/4  $\Omega$  max.
  - 4 x 45 W/4  $\Omega$  EIAJ
  - 4 x 30 W/4  $\Omega$  @ 14.4 V, 1 kHz, 10 %
  - 4 x 80 W/2  $\Omega$  max.
  - 4 x 77 W/2  $\Omega$  EIAJ
  - 4 x 55 W/2  $\Omega$  @ 14.4 V, 1 kHz, 10 %
- Multipower BCD technology
- MOSFET output power stage
- Excellent 2  $\Omega$  driving capability
- Hi-fi class distortion
- Low output noise
- Standby function
- Mute function
- Automute at min. supply voltage detection
- Low external component count:
  - Internally fixed gain (26 dB)
  - No external compensation
  - No bootstrap capacitors
- On board 0.35 A high side driver

### Protections

- Output short circuit to GND, to  $V_S$ , across the load
- Very inductive loads



- Overrating chip temperature with soft thermal limiter
- Output DC offset detection
- Load dump voltage
- Fortuitous open GND
- Reversed battery
- ESD

### Description

The TDA7560A is a breakthrough BCD (Bipolar / CMOS / DMOS) technology class AB audio power amplifier in Flexiwatt 27 package designed for high power car radio.

The fully complementary P-Channel/N-Channel output structure allows a rail to rail output voltage swing which, combined with high output current and minimized saturation losses sets new power references in the car-radio field, with unparalleled distortion performances.

**Table 1. Device summary**

Order code	Package	Packing
E-TDA7560A	Flexiwatt27 (vertical)	Tube

# Contents

- 1      Block and pin connection diagrams ..... 5**
  
- 2      Electrical specifications ..... 6**
  - 2.1 Absolute maximum ratings ..... 6
  - 2.2 Thermal data ..... 6
  - 2.3 Electrical characteristics ..... 6
  - 2.4 Standard test and application circuit ..... 8
  - 2.5 Electrical characteristics curves ..... 9
  
- 3      Application hints ..... 12**
  - 3.1 SVR ..... 12
  - 3.2 Input stage ..... 12
  - 3.3 Standby and muting ..... 12
  - 3.4 DC offset detector ..... 12
  - 3.5 Heatsink definition ..... 12
  
- 4      Package information ..... 13**
  
- 5      Revision history ..... 14**

## List of tables

Table 1.	Device summary . . . . .	1
Table 2.	Absolute maximum ratings . . . . .	6
Table 3.	Thermal data . . . . .	6
Table 4.	Electrical characteristics . . . . .	6
Table 5.	Document revision history . . . . .	14

## List of figure

Figure 1.	Block diagram . . . . .	5
Figure 2.	Pin connection (top view) . . . . .	5
Figure 3.	Standard test and application circuit . . . . .	8
Figure 4.	Quiescent current vs. supply voltage . . . . .	9
Figure 5.	Output power vs. supply voltage ( $R_L = 4\Omega$ ) . . . . .	9
Figure 6.	Output power vs. supply voltage ( $R_L = 2\Omega$ ) . . . . .	9
Figure 7.	Distortion vs. output power ( $R_L = 4\Omega$ ) . . . . .	9
Figure 8.	Distortion vs. output power ( $R_L = 2\Omega$ ) . . . . .	9
Figure 9.	Distortion vs. frequency ( $R_L = 4\Omega$ ) . . . . .	9
Figure 10.	Distortion vs. frequency ( $R_L = 2\Omega$ ) . . . . .	10
Figure 11.	Crosstalk vs. frequency . . . . .	10
Figure 12.	Supply voltage rejection vs. frequency . . . . .	10
Figure 13.	Output attenuation vs. supply voltage . . . . .	10
Figure 14.	Output noise vs. source resistance . . . . .	10
Figure 15.	Power dissipation and efficiency vs. output power (sine-wave operation) . . . . .	10
Figure 16.	Power dissipation vs. output power (music/speech simulation); $R_L = 4 \times 4\Omega$ . . . . .	11
Figure 17.	Power dissipation vs. output power (music/speech simulation); $R_L = 4 \times 2\Omega$ . . . . .	11
Figure 18.	ITU R-ARM frequency response, weighting filter for transient pop . . . . .	11
Figure 19.	Flexiwatt27 (vertical) mechanical data and package dimensions . . . . .	13

# 1 Block and pin connection diagrams

Figure 1. Block diagram

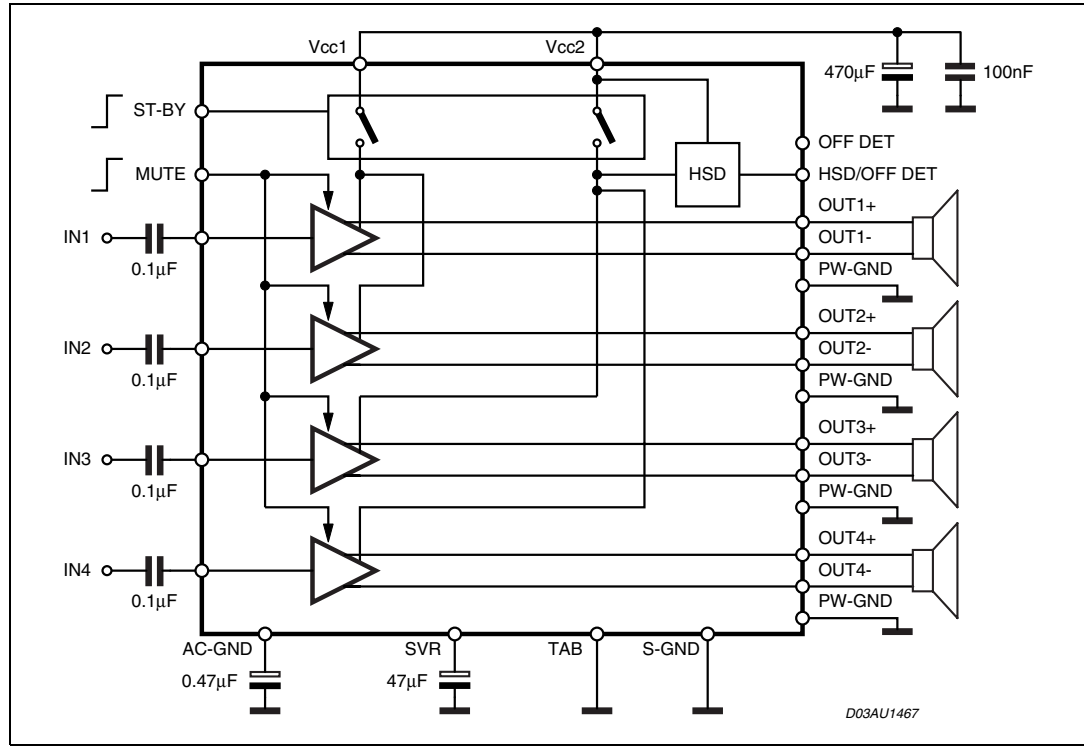
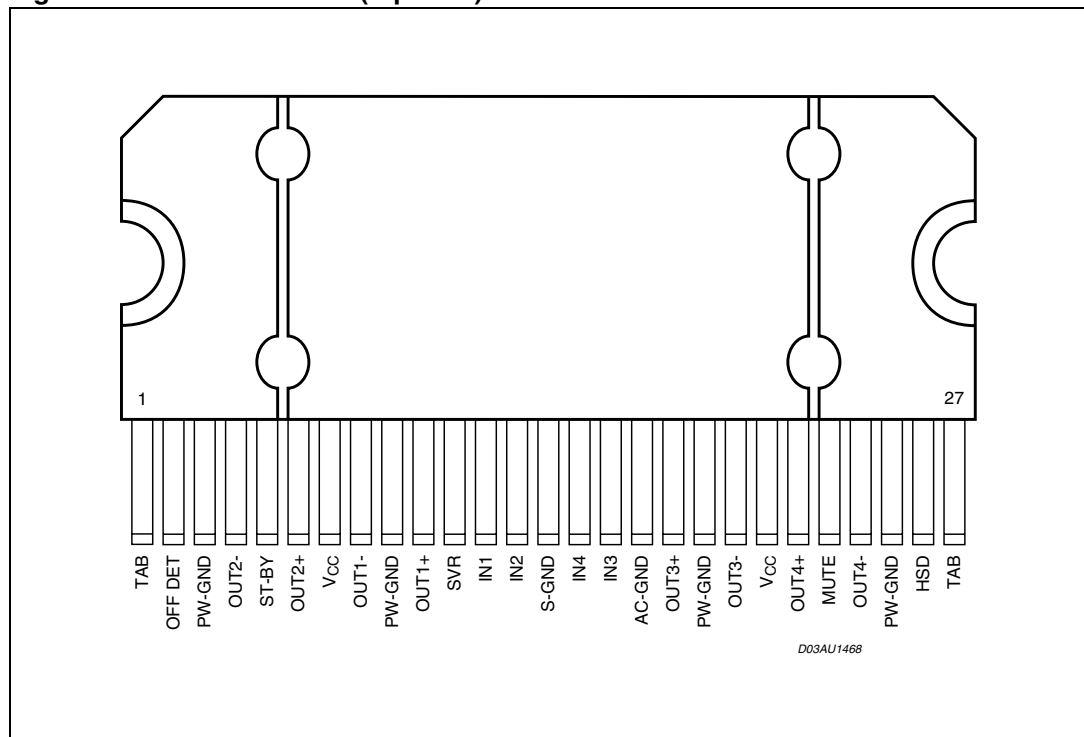


Figure 2. Pin connection (top view)



## 2 Electrical specifications

### 2.1 Absolute maximum ratings

Table 2. Absolute maximum ratings

Symbol	Parameter	Value	Unit
$V_{CC}$	Operating supply voltage	18	V
$V_{CC(DC)}$	DC supply voltage	28	V
$V_{CC(pk)}$	Peak supply voltage (for $t = 50$ ms)	50	V
$I_O$	Output peak current	9	A
	Repetitive (duty cycle 10 % at $f = 10$ Hz) Non repetitive ( $t = 100$ $\mu$ s)	10	A
$P_{tot}$	Power dissipation $T_{case} = 70$ °C	85	W
$T_j$	Junction temperature	150	°C
$T_{stg}$	Storage temperature	-55 to 150	°C

### 2.2 Thermal data

Table 3. Thermal data

Symbol	Parameter	Value	Unit
$R_{th\ j-case}$	Thermal resistance junction to case	Max. 1	°C/W

### 2.3 Electrical characteristics

Table 4. Electrical characteristics

(Refer to the test and application diagram,  $V_S = 13.2$  V;  $R_L = 4$   $\Omega$ ;  $R_g = 600$   $\Omega$ ;  $f = 1$  kHz;  $T_{amb} = 25$  °C; unless otherwise specified).

Symbol	Parameter	Test condition	Min.	Typ.	Max.	Unit
$I_{q1}$	Quiescent current	$R_L = \infty$	80	200	320	mA
$V_{OS}$	Output offset voltage	Play Mode			$\pm 50$	mV
$dV_{OS}$	During mute ON/OFF output offset voltage				$\pm 60$	mV
$G_v$	Voltage gain		25	26	27	dB
$dG_v$	Channel gain unbalance				$\pm 1$	dB
$P_o$	Output power	$V_S = 13.2$ V; THD = 10 %	23	25		W
		$V_S = 13.2$ V; THD = 1 %	16	19		
		$V_S = 14.4$ V; THD = 10 %	28	30		
		$V_S = 14.4$ V; THD = 1 %	20	23		

**Table 4. Electrical characteristics (continued)**

(Refer to the test and application diagram,  $V_S = 13.2\text{ V}$ ;  $R_L = 4\ \Omega$ ;  $R_g = 600\ \Omega$ ;  $f = 1\text{ kHz}$ ;  $T_{\text{amb}} = 25\text{ }^\circ\text{C}$ ; unless otherwise specified).

Symbol	Parameter	Test condition	Min.	Typ.	Max.	Unit
$P_o$	Output power	$V_S = 13.2\text{ V}$ ; THD = 10 %, $2\ \Omega$	42	45		W
		$V_S = 13.2\text{ V}$ ; THD = 1 %, $2\ \Omega$	32	34		
		$V_S = 14.4\text{ V}$ ; THD = 10 %, $2\ \Omega$	50	55		
		$V_S = 14.4\text{ V}$ ; THD = 1 %, $2\ \Omega$	40	43		
$P_{o\text{ EIAJ}}$	EIAJ output power <sup>(1)</sup>	$V_S = 13.7\text{ V}$ ; $R_L = 4\ \Omega$ $V_S = 13.7\text{ V}$ ; $R_L = 2\ \Omega$	41	45 77		W
$P_{o\text{ max.}}$	Max. output power <sup>(1)</sup>	$V_S = 14.4\text{ V}$ ; $R_L = 4\ \Omega$ $V_S = 14.4\text{ V}$ ; $R_L = 2\ \Omega$	43 75	50 80		W
THD	Distortion	$P_o = 4\text{ W}$ $P_o = 15\text{ W}$ ; $R_L = 2\ \Omega$		0.006 0.015	0.02 0.03	%
$e_{\text{No}}$	Output noise	"A" Weighted Bw = 20 Hz to 20 kHz		35 50	50 70	$\mu\text{V}$
SVR	Supply voltage rejection	$f = 100\text{ Hz}$ ; $V_r = 1\text{ V}_{\text{rms}}$	50	70		dB
$f_{\text{ch}}$	High cut-off frequency	$P_o = 0.5\text{ W}$	100	300		kHz
$R_i$	Input impedance		80	100	120	$\text{K}\Omega$
$C_T$	Cross talk	$f = 1\text{ kHz}$ $P_o = 4\text{ W}$	60	70	-	dB
		$f = 10\text{ kHz}$ $P_o = 4\text{ W}$	50	60	-	
$I_{\text{SB}}$	Standby current consumption	$V_{\text{ST-BY}} = 1.5\text{ V}$			20	$\mu\text{A}$
		$V_{\text{ST-BY}} = 0\text{ V}$			10	
$I_{\text{pin5}}$	ST-BY pin current	$V_{\text{ST-BY}} = 1.5\text{ V to }3.5\text{ V}$			$\pm 10$	$\mu\text{A}$
$V_{\text{SB out}}$	Standby out threshold voltage	(Amp: ON)	3.5			V
$V_{\text{SB in}}$	Standby in threshold voltage	(Amp: OFF)			1.5	V
$A_M$	Mute attenuation	$P_{\text{Oref}} = 4\text{ W}$	80	90		dB
$V_{\text{M out}}$	Mute out threshold voltage	(Amp: Play)	3.5			V
$V_{\text{M in}}$	Mute in threshold voltage	(Amp: Mute)			1.5	V
$V_{\text{AM in}}$	VS automute threshold	(Amp: Mute) Att $\geq 80\text{ dB}$ ; $P_{\text{Oref}} = 4\text{ W}$	6.5	7		V
		(Amp: Play) Att $< 0.1\text{ dB}$ ; $P_o = 0.5\text{ W}$		7.5	8	
$I_{\text{pin23}}$	Muting pin current	$V_{\text{MUTE}} = 1.5\text{ V}$ (Sourced current)	7	12	18	$\mu\text{A}$
		$V_{\text{MUTE}} = 3.5\text{ V}$	-5		18	$\mu\text{A}$
<b>HSD section</b>						
$V_{\text{M MAX}}$	Mute voltage for HSD operation				6	V
$V_{\text{dropout}}$	Dropout voltage	$I_o = 0.35\text{ A}$ ; $V_S = 9\text{ to }16\text{ V}$		0.25	0.6	V
$I_{\text{prot}}$	Current limits		400		800	mA

**Table 4. Electrical characteristics (continued)**

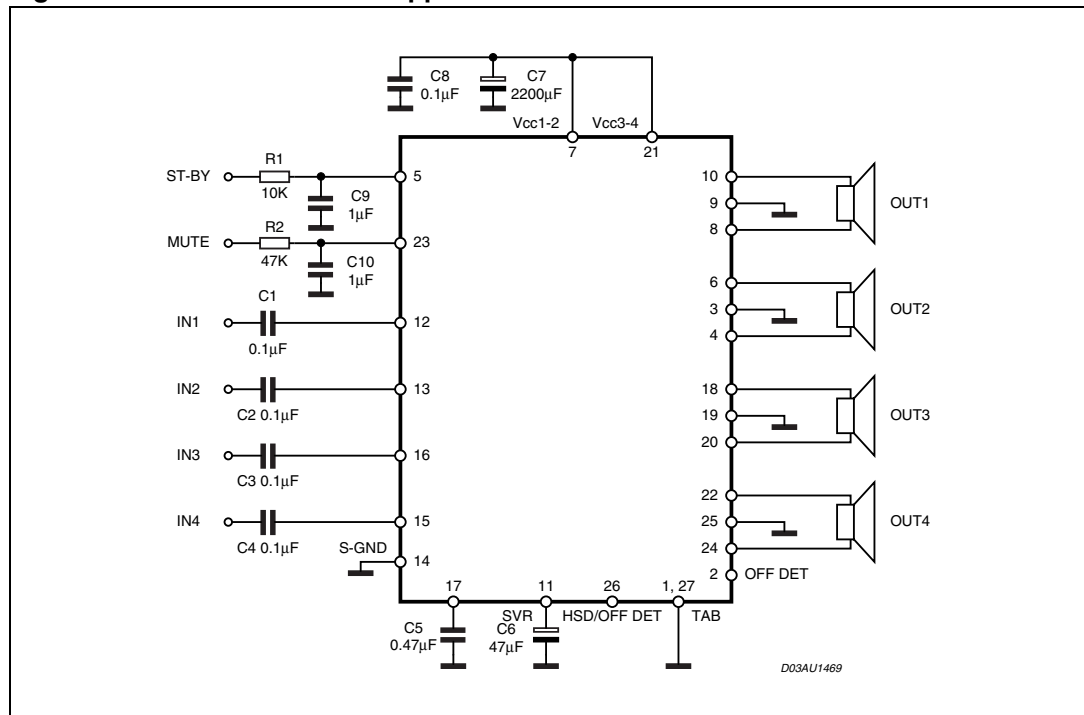
(Refer to the test and application diagram,  $V_S = 13.2\text{ V}$ ;  $R_L = 4\ \Omega$ ;  $R_g = 600\ \Omega$ ;  $f = 1\text{ kHz}$ ;  $T_{amb} = 25\text{ }^\circ\text{C}$ ; unless otherwise specified).

Symbol	Parameter	Test condition	Min.	Typ.	Max.	Unit
<b>Offset detector (Pin 26)</b>						
$V_{M\_ON}$	Mute voltage for DC offset detection enabled	$V_{ST-BY} = 5\text{ V}$	8			V
$V_{M\_OFF}$					6	V
$V_{OFF}$	Detected differential output offset	$V_{ST-BY} = 5\text{ V}$ ; $V_{mute} = 8\text{ V}$	$\pm 2$	$\pm 3$	$\pm 4$	V
$V_{26\_T}$	Pin 26 voltage for detection = True	$V_{ST-BY} = 5\text{ V}$ ; $V_{mute} = 8\text{ V}$ $V_{OFF} > \pm 4\text{ V}$	0		1.5	V
$V_{26\_F}$	Pin 26 voltage for detection = False	$V_{ST-BY} = 5\text{ V}$ ; $V_{mute} = 8\text{ V}$ $V_{OFF} > \pm 2\text{ V}$	12			V

1. Saturated square wave output.

## 2.4 Standard test and application circuit

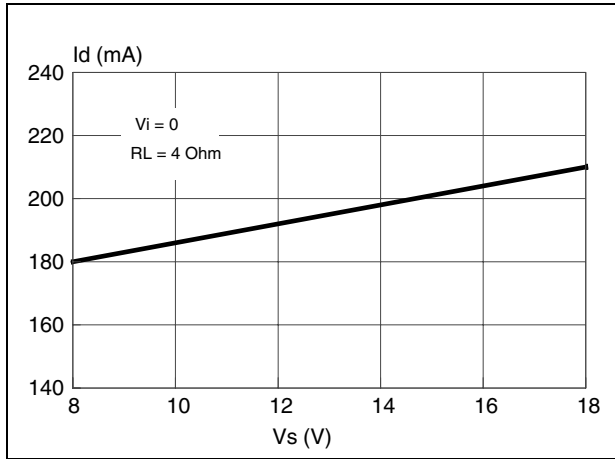
**Figure 3. Standard test and application circuit**



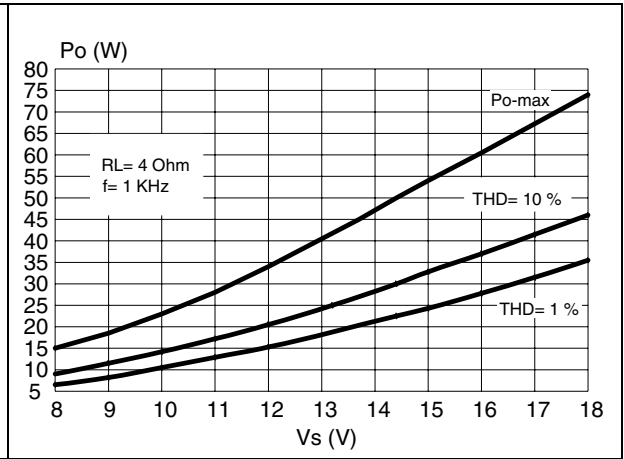


## 2.5 Electrical characteristics curves

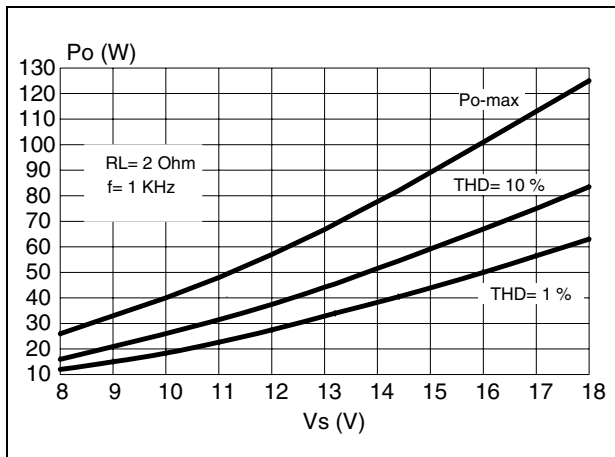
**Figure 4. Quiescent current vs. supply voltage**



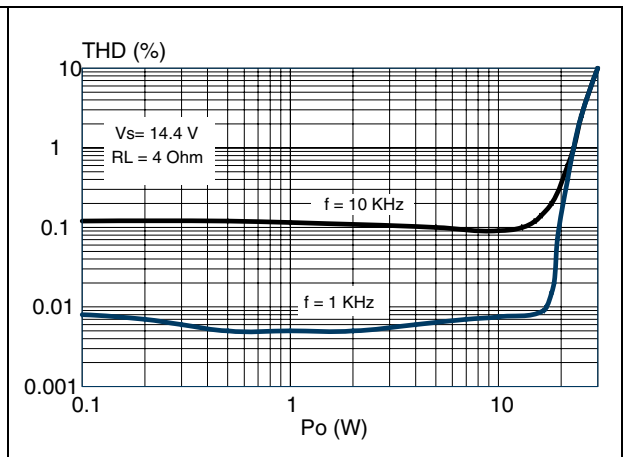
**Figure 5. Output power vs. supply voltage ( $R_L = 4\Omega$ )**



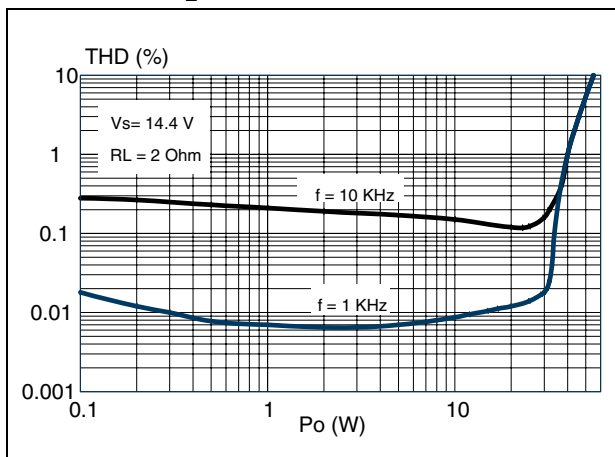
**Figure 6. Output power vs. supply voltage ( $R_L = 2\Omega$ )**



**Figure 7. Distortion vs. output power ( $R_L = 4\Omega$ )**



**Figure 8. Distortion vs. output power ( $R_L = 2\Omega$ )**



**Figure 9. Distortion vs. frequency ( $R_L = 4\Omega$ )**

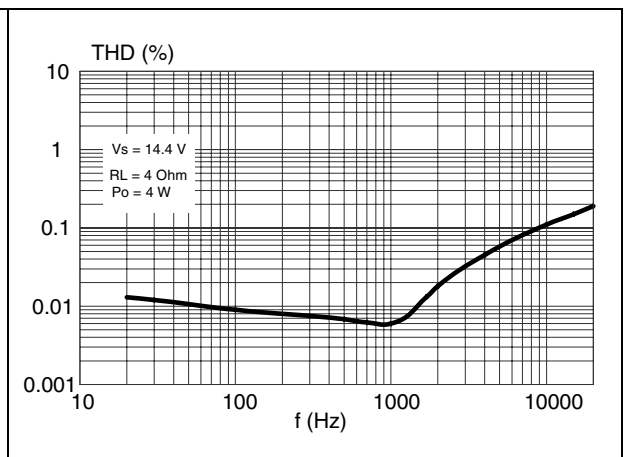


Figure 10. Distortion vs. frequency ( $R_L = 2\Omega$ )

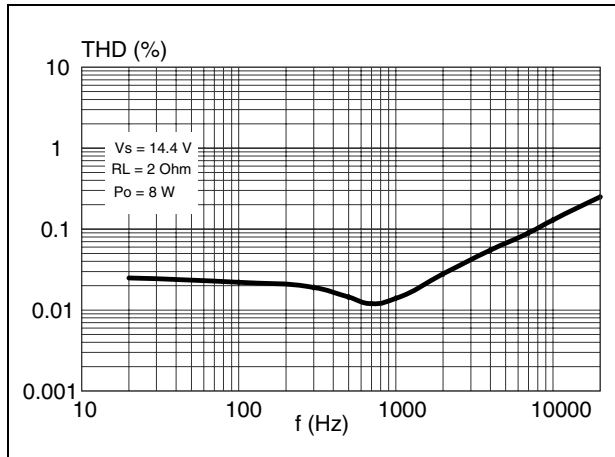


Figure 11. Crosstalk vs. frequency

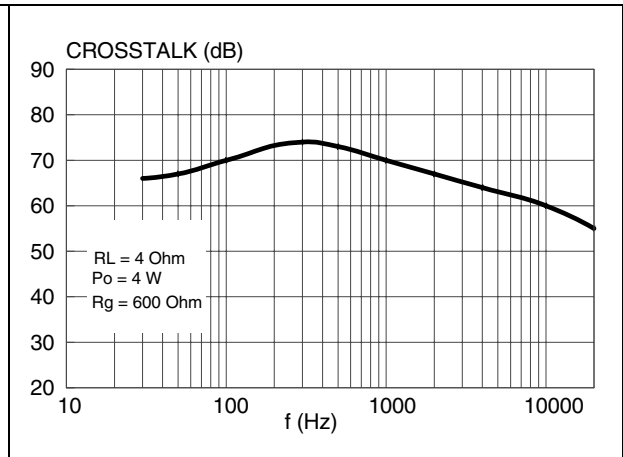


Figure 12. Supply voltage rejection vs. frequency

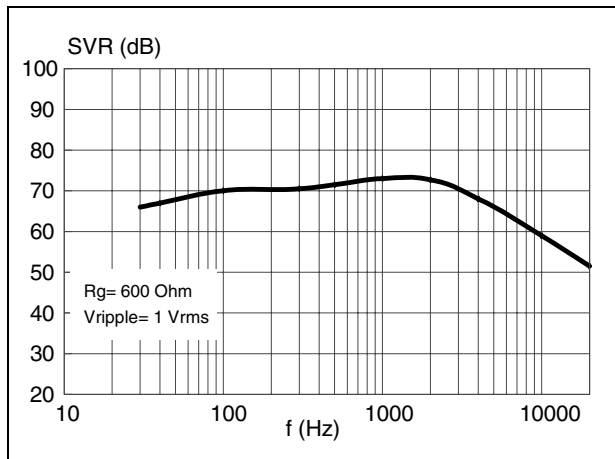


Figure 13. Output attenuation vs. supply voltage

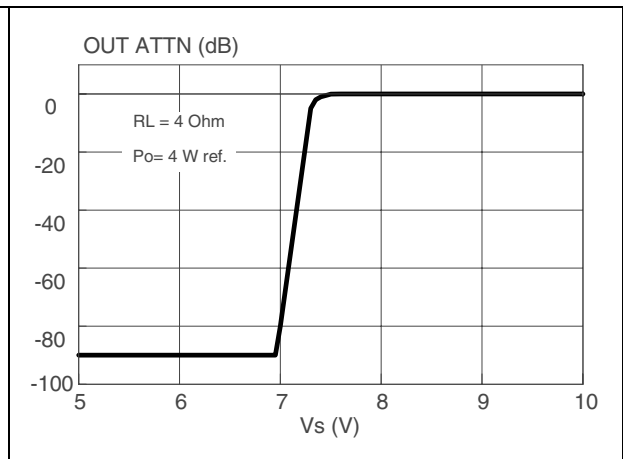


Figure 14. Output noise vs. source resistance

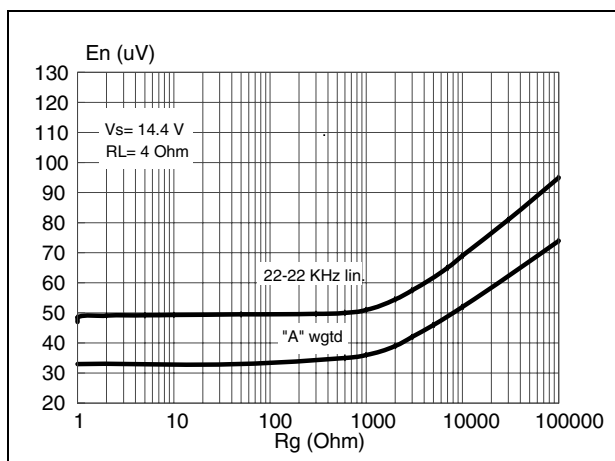
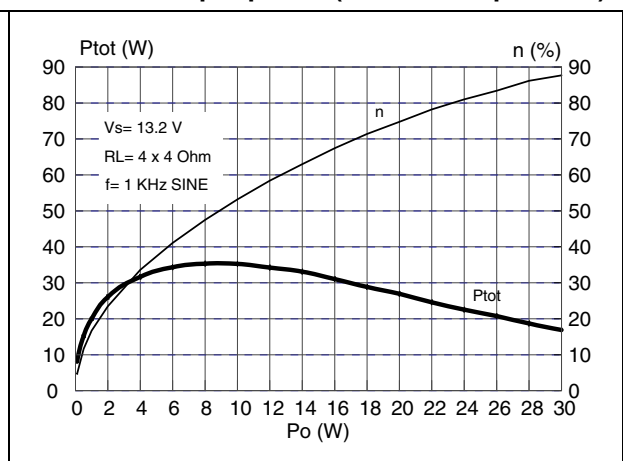
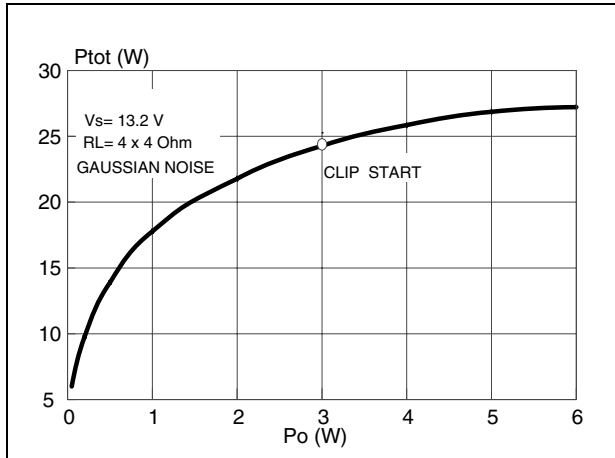


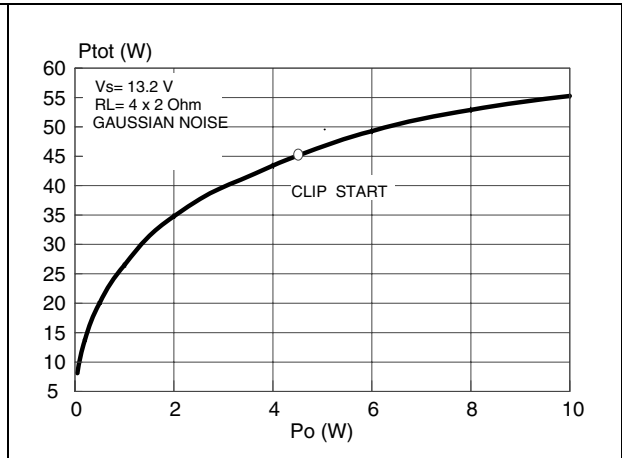
Figure 15. Power dissipation and efficiency vs. output power (sine-wave operation)



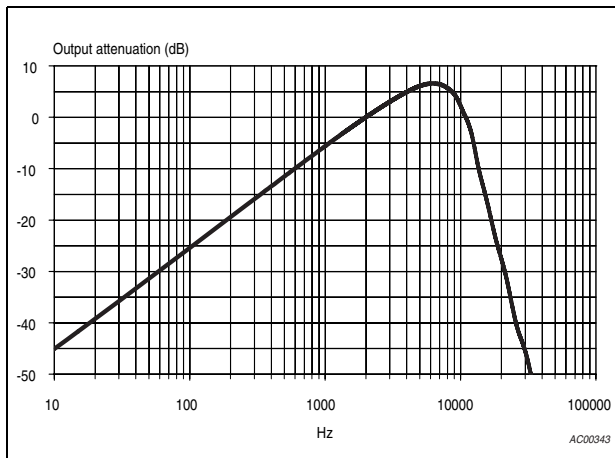
**Figure 16. Power dissipation vs. output power (music/speech simulation);**  
 $R_L = 4 \times 4\Omega$



**Figure 17. Power dissipation vs. output power (music/speech simulation);**  
 $R_L = 4 \times 2\Omega$



**Figure 18. ITU R-ARM frequency response, weighting filter for transient pop**



## 3 Application hints

(ref. to the circuit of [Figure 3](#))

### 3.1 SVR

Besides its contribution to the ripple rejection, the SVR capacitor governs the turn ON/OFF time sequence and, consequently, plays an essential role in the pop optimization during ON/OFF transients. To conveniently serve both needs, **ITS MINIMUM RECOMMENDED VALUE IS 10  $\mu$ F**.

### 3.2 Input stage

The TDA7560A's inputs are ground-compatible and can stand very high input signals ( $\pm 8$  Vpk) without any performances degradation.

If the standard value for the input capacitors (0.1  $\mu$ F) is adopted, the low frequency cut-off will amount to 16 Hz.

### 3.3 Standby and muting

Standby and Muting facilities are both CMOS-compatible. In absence of true CMOS ports or microprocessors, a direct connection to  $V_s$  of these two pins is admissible but a 470 kOhm equivalent resistance should be present between the power supply and the muting and ST-BY pins.

R-C cells have always to be used in order to smooth down the transitions for preventing any audible transient noises.

About the standby, the time constant to be assigned in order to obtain a virtually pop-free transition has to be slower than 2.5 V/ms.

### 3.4 DC offset detector

The TDA7560A integrates a DC offset detector to avoid that an anomalous DC offset on the inputs of the amplifier may be multiplied by the gain and result in a dangerous large offset on the outputs which may lead to speakers damage for overheating. The feature is enabled by the MUTE pin (according to [Table 4](#)) and works with the amplifier unmuted and with no signal on the inputs.

The DC offset detection can be available at 2 different pins:

- Pin 2 (always enabled)
- Pin 26. Only enabled if  $V_{mute}$  (pin23) is set higher than 8V. If not ( $V_{mute} < 6$  V) pin 26 will revert to the original HSD function

### 3.5 Heatsink definition

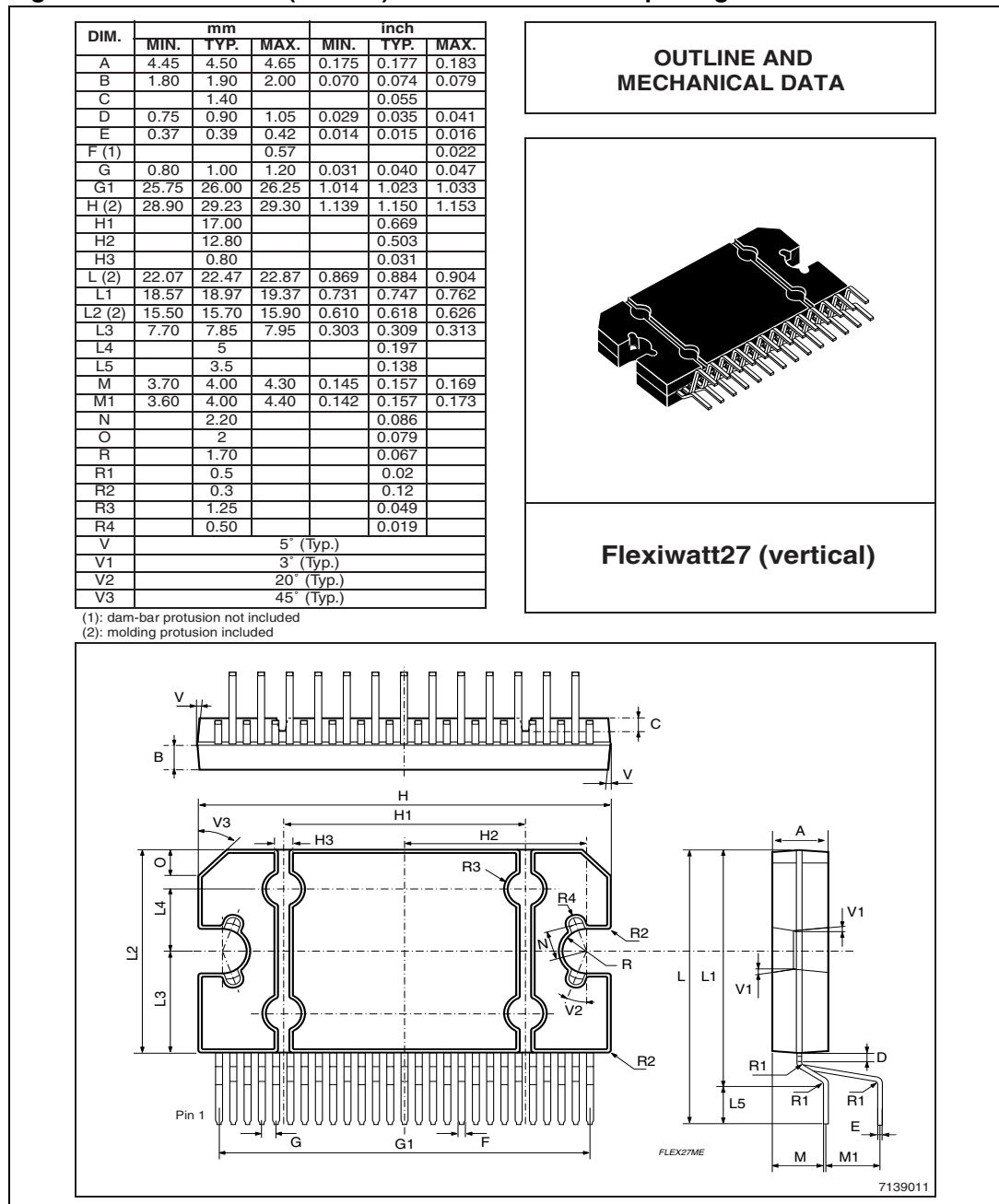
Under normal usage (4 Ohm speakers) the heatsink's thermal requirements have to be deduced from [Figure 16](#), which reports the simulated power dissipation when real music/speech programmes are played out. Noise with gaussian-distributed amplitude was employed for this simulation. Based on that, frequent clipping occurrence (worst-case) will cause  $P_{diss} = 26$  W. Assuming  $T_{amb} = 70$  °C and  $T_{CHIP} = 150$  °C as boundary conditions, the heatsink's thermal resistance should be approximately 2 °C/W. This would avoid any thermal shutdown occurrence even after long-term and full-volume operation

# 4 Package information

In order to meet environmental requirements, ST (also) offers these devices in ECOPACK<sup>®</sup> packages. ECOPACK<sup>®</sup> packages are lead-free. The category of second Level Interconnect is marked on the package and on the inner box label, in compliance with JEDEC Standard JESD97. The maximum ratings related to soldering conditions are also marked on the inner box label.

ECOPACK is an ST trademark. ECOPACK specifications are available at: [www.st.com](http://www.st.com).

**Figure 19. Flexiwatt27 (vertical) mechanical data and package dimensions**



## 5 Revision history

**Table 5. Document revision history**

Date	Revision	Changes
16-Mar-2003	1	Initial release.
29-Sep-2008	2	Document reformatted. Changed the order code, see <a href="#">Table 1: Device summary</a> . Updated <a href="#">Table 4: Electrical characteristics</a> . Added <a href="#">Figure 18: ITU R-ARM frequency response, weighting filter for transient pop</a> .
07-Nov-2008	3	Modified max. values of the $V_{OS}$ and THD parameter in <a href="#">Table 4: Electrical characteristics</a> .

**Please Read Carefully:**

Information in this document is provided solely in connection with ST products. STMicroelectronics NV and its subsidiaries ("ST") reserve the right to make changes, corrections, modifications or improvements, to this document, and the products and services described herein at any time, without notice.

All ST products are sold pursuant to ST's terms and conditions of sale.

Purchasers are solely responsible for the choice, selection and use of the ST products and services described herein, and ST assumes no liability whatsoever relating to the choice, selection or use of the ST products and services described herein.

No license, express or implied, by estoppel or otherwise, to any intellectual property rights is granted under this document. If any part of this document refers to any third party products or services it shall not be deemed a license grant by ST for the use of such third party products or services, or any intellectual property contained therein or considered as a warranty covering the use in any manner whatsoever of such third party products or services or any intellectual property contained therein.

**UNLESS OTHERWISE SET FORTH IN ST'S TERMS AND CONDITIONS OF SALE ST DISCLAIMS ANY EXPRESS OR IMPLIED WARRANTY WITH RESPECT TO THE USE AND/OR SALE OF ST PRODUCTS INCLUDING WITHOUT LIMITATION IMPLIED WARRANTIES OF MERCHANTABILITY, FITNESS FOR A PARTICULAR PURPOSE (AND THEIR EQUIVALENTS UNDER THE LAWS OF ANY JURISDICTION), OR INFRINGEMENT OF ANY PATENT, COPYRIGHT OR OTHER INTELLECTUAL PROPERTY RIGHT.**

**UNLESS EXPRESSLY APPROVED IN WRITING BY AN AUTHORIZED REPRESENTATIVE OF ST, ST PRODUCTS ARE NOT DESIGNED, AUTHORIZED OR WARRANTED FOR USE IN MILITARY, AIR CRAFT, SPACE, LIFE SAVING, OR LIFE SUSTAINING APPLICATIONS, NOR IN PRODUCTS OR SYSTEMS, WHERE FAILURE OR MALFUNCTION MAY RESULT IN PERSONAL INJURY, DEATH, OR SEVERE PROPERTY OR ENVIRONMENTAL DAMAGE.**

Resale of ST products with provisions different from the statements and/or technical features set forth in this document shall immediately void any warranty granted by ST for the ST product or service described herein and shall not create or extend in any manner whatsoever, any liability of ST.

ST and the ST logo are trademarks or registered trademarks of ST in various countries.

Information in this document supersedes and replaces all information previously supplied.

The ST logo is a registered trademark of STMicroelectronics. All other names are the property of their respective owners.

© 2008 STMicroelectronics - All rights reserved

STMicroelectronics group of companies

Australia - Belgium - Brazil - Canada - China - Czech Republic - Finland - France - Germany - Hong Kong - India - Israel - Italy - Japan - Malaysia - Malta - Morocco - Singapore - Spain - Sweden - Switzerland - United Kingdom - United States of America

[www.st.com](http://www.st.com)

