



75N75

Power MOSFET

75Amps, 75Volts N-CHANNEL POWER MOSTFET

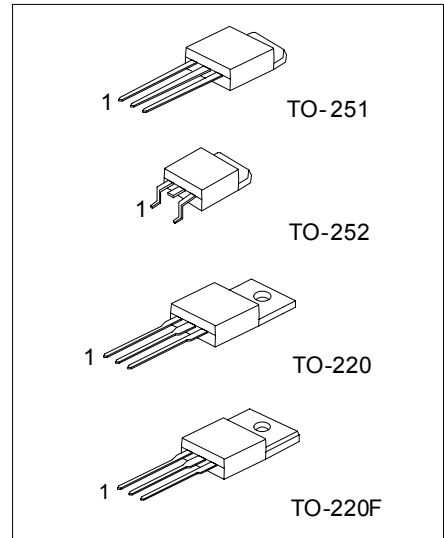
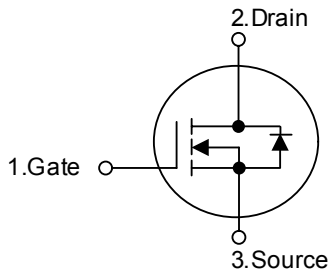
DESCRIPTION

The UTC **75N75** is n-channel enhancement mode power field effect transistors with stable off-state characteristics, fast switching speed, low thermal resistance, usually used at telecom and computer application.

FEATURES

- * $R_{DS(ON)} = 12.5m\Omega @ V_{GS} = 10V$
- * Ultra low gate charge (typical 90 nC)
- * Fast switching capability
- * Avalanche energy Specified
- * Improved dv/dt capability, high ruggedness

SYMBOL



*Pb-free plating product number: 75N75L

ORDERING INFORMATION

Order Number		Package	Pin Assignment			Packing
Normal	Lead Free Plating		1	2	3	
75N75-TA3-T	75N75L-TA3-T	TO-220	G	D	S	Tube
75N75-TF3-T	75N75L-TF3-T	TO-220F	G	D	S	Tube
75N75-TM3-T	75N75L-TM3-T	TO-251	G	D	S	Tube
75N75-TN3-R	75N75L-TN3-R	TO-252	G	D	S	Tape Reel
75N75-TN3-T	75N75L-TN3-T	TO-252	G	D	S	Tube

Note: Pin Assignment: G: Gate D: Drain S: Source

<p>75N75L-TA3-T</p> <p>(1)Packing Type (2)Package Type (3)Lead Plating</p>	<p>(1) T: Tube, R: Tape Reel (2) TA3: TO-220, TF3: TO-220F, TM3: TO-251, TN 3: TO-252 (3) L: Lead Free Plating Blank: Pb/Sn</p>
--	---

■ ABSOLUTE MAXIMUM RATINGS

PARAMETER		SYMBOL	RATINGS	UNIT
Drain to Source Voltage		V_{DSS}	75	V
Continuous Drain Current	$T_C = 25$	I_D	75	A
	$T_C = 100$		56	A
Drain Current Pulsed (Note 1)		I_{DM}	300	A
Gate to Source Voltage		V_{GS}	± 20	V
Avalanche Energy	Single Pulsed (Note 2)	E_{AS}	900	mJ
	Repetitive (Note 1)	E_{AR}	300	mJ
Peak Diode Recovery dv/dt (Note 3)		dv/dt	15	V/ns
Total Power Dissipation	$T_C = 25$	P_D	220	W
	Derating above 25		1.4	W/
Junction Temperature		T_J	+150	
Storage Temperature		T_{STG}	-55 ~ +150	

Note: Absolute maximum ratings are those values beyond which the device could be permanently damaged. Absolute maximum ratings are stress ratings only and functional device operation is not implied.

■ THERMAL DATA

PARAMETER	SYMBOL	MIN	TYP	MAX	UNIT
Thermal Resistance Junction-Ambient	θ_{JA}			62.5	/W
Thermal Resistance Junction-Case	θ_{JC}			0.8	/W
Thermal Resistance Case-Sink	θ_{CS}		0.5		/W

■ ELECTRICAL CHARACTERISTICS ($T_C = 25$, unless otherwise specified)

PARAMETER	SYMBOL	TEST CONDITIONS	MIN	TYP	MAX	UNIT
Off Characteristics						
Drain-Source Breakdown Voltage	BV_{DSS}	$V_{GS} = 0\text{ V}, I_D = 250\ \mu\text{A}$	75			V
Breakdown Voltage Temperature Coefficient	BV_{DSS}/T_J	$I_D = 1\text{ mA}$, Referenced to 25		0.08		V/
Drain-Source Leakage Current	I_{DSS}	$V_{DS} = 75\text{ V}, V_{GS} = 0\text{ V}$			20	μA
		$V_{DS} = 75\text{ V}, V_{GS} = 0\text{ V}$, $T_J = 150$			250	μA
Gate-Source Leakage Current	I_{GSS}	$V_{GS} = 20\text{ V}, V_{DS} = 0\text{ V}$			100	nA
Gate-Source Leakage Reverse		$V_{GS} = -20\text{ V}, V_{DS} = 0\text{ V}$			-100	nA
On Characteristics						
Gate Threshold Voltage	$V_{GS(TH)}$	$V_{DS} = V_{GS}, I_D = 250\ \mu\text{A}$	2.0		4.0	V
Static Drain-Source On-State Resistance	$R_{DS(ON)}$	$V_{GS} = 10\text{ V}, I_D = 48\text{ A}$		12.5	15	m Ω
Dynamic Characteristics						
Input Capacitance	C_{ISS}	$V_{GS} = 0\text{ V}, V_{DS} = 25\text{ V}$ $f = 1\text{ MHz}$		3300		pF
Output Capacitance	C_{OSS}			530		pF
Reverse Transfer Capacitance	C_{RSS}			80		pF
Switching Characteristics						
Turn-On Delay Time	$t_{D(ON)}$	$V_{DD} = 38\text{ V}, I_D = 48\text{ A}$, $V_{GS} = 10\text{ V}$, (Note 4, 5)		12		ns
Rise Time	t_R			79		ns
Turn-Off Delay Time	$t_{D(OFF)}$			80		ns
Fall Time	t_F			52		ns
Total Gate Charge	Q_G		$V_{DS} = 60\text{ V}, V_{GS} = 10\text{ V}$ $I_D = 48\text{ A}$, (Note 4, 5)		90	140
Gate-Source Charge	Q_{GS}			20	35	nC
Gate-Drain Charge (Miller Charge)	Q_{GD}			30	45	nC

■ ELECTRICAL CHARACTERISTICS(Cont.)

PARAMETER	SYMBOL	TEST CONDITIONS	MIN	TYP	MAX	UNIT
Source-Drain Diode Ratings and Characteristics						
Continuous Source Current	I_S				75	A
Pulsed Source Current	I_{SM}				300	
Diode Forward Voltage	V_{SD}	$I_S = 48A, V_{GS} = 0V$			1.4	V
Reverse Recovery Time	t_{rr}	$I_S = 48A, V_{GS} = 0V$		90		ns
Reverse Recovery Charge	Q_{rr}	$di_F / dt = 100 A/\mu s$		300		μC

Note 1. Repeativity rating: pulse width limited by junction temperature

2. $L=0.24mH, I_{AS}=48A, R_G=20\Omega$, Starting $T_J=25$

3. $I_{SD}\leq 48A, di/dt\leq 300A/\mu s, V_{DD}\leq BV_{DSS}$, Starting $T_J=25$

4. Pulse Test: Pulse Width $\leq 300\mu s$, Duty Cycle $\leq 2\%$

5. Essentially independent of operating temperature.

■ TEST CIRCUITS AND WAVEFORMS

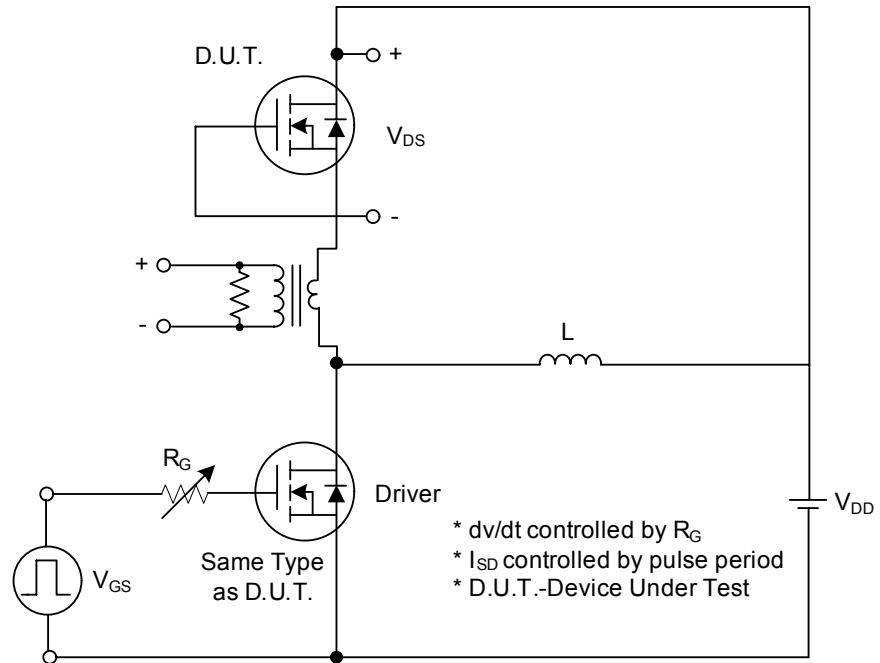


Fig. 1A Peak Diode Recovery dv/dt Test Circuit

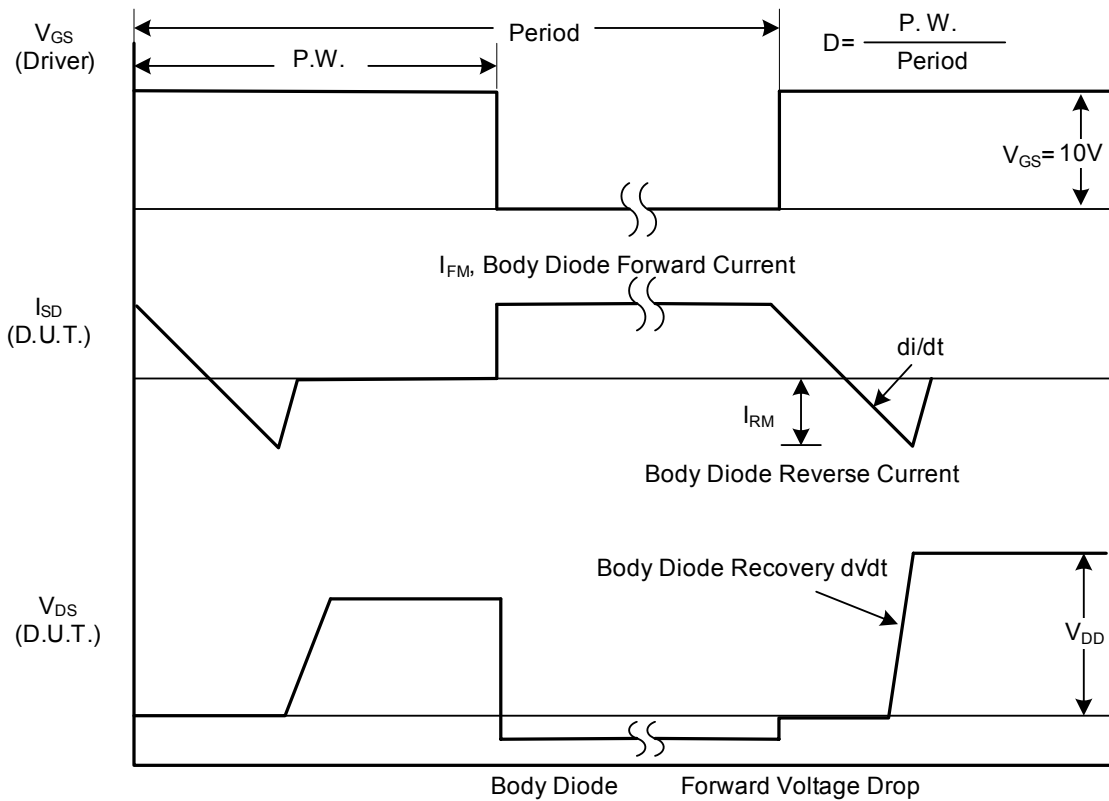


Fig. 1B Peak Diode Recovery dv/dt Waveforms

■ TEST CIRCUITS AND WAVEFORMS (Cont.)

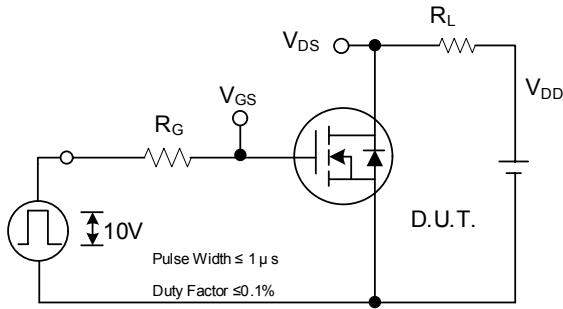


Fig. 2A Switching Test Circuit

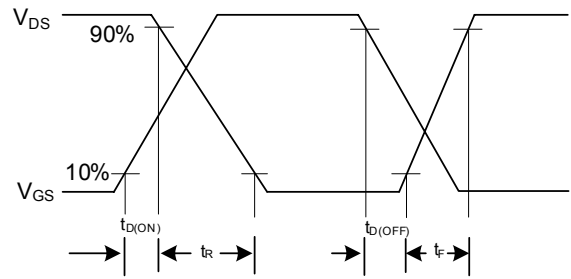


Fig. 2B Switching Waveforms

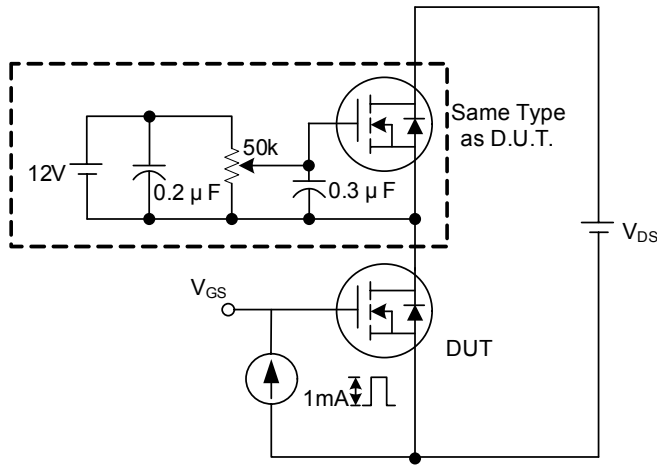


Fig. 3A Gate Charge Test Circuit

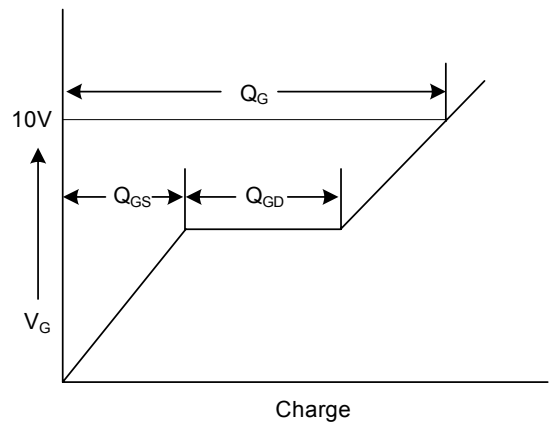


Fig. 3B Gate Charge Waveform

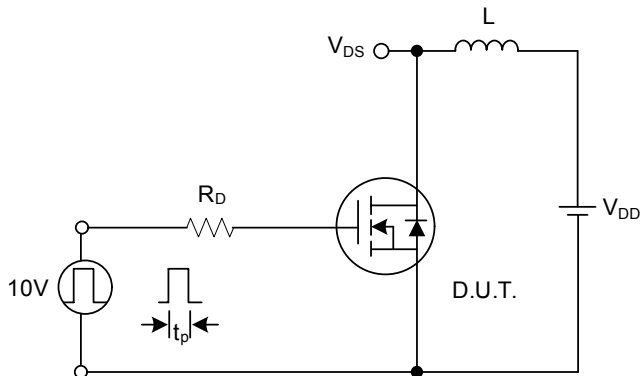


Fig. 4A Unclamped Inductive Switching Test Circuit

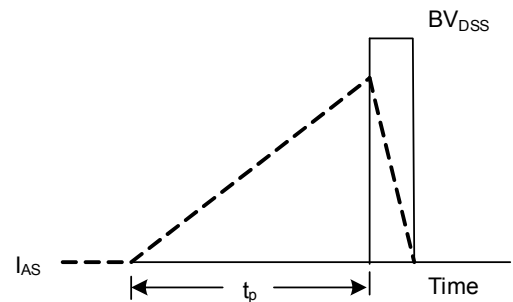
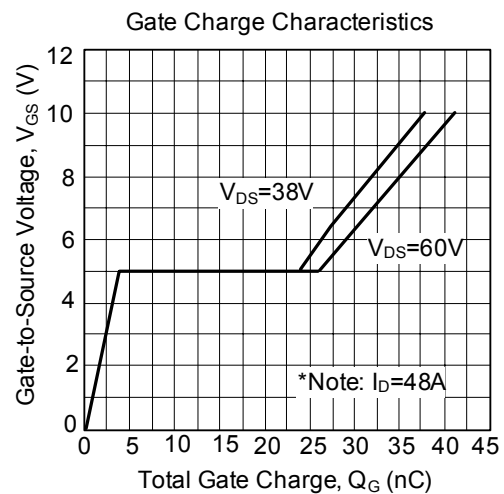
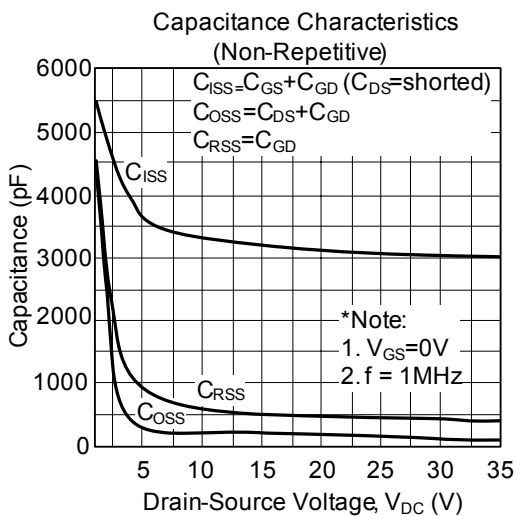
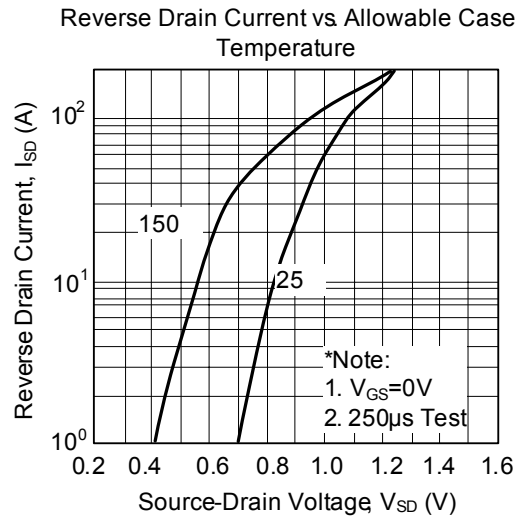
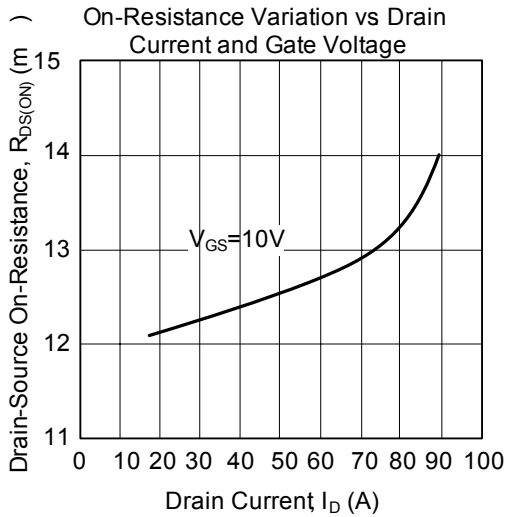
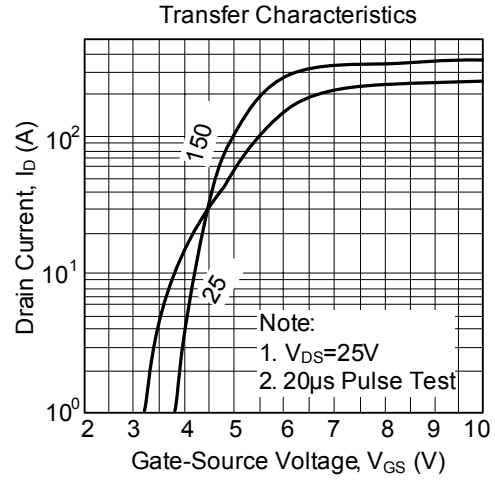
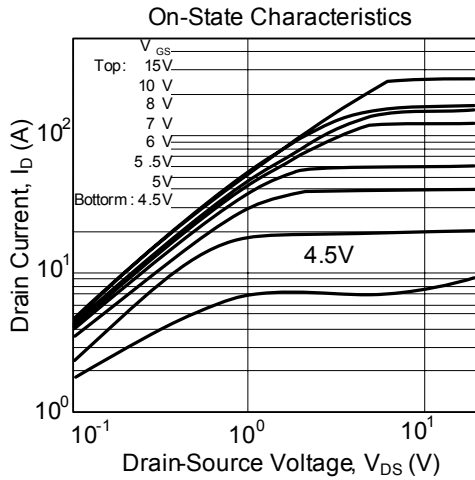
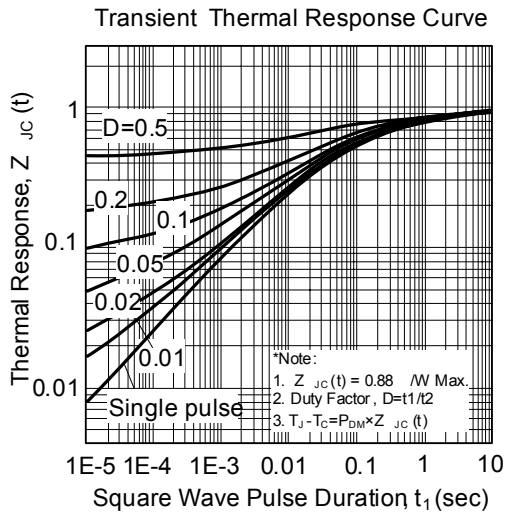
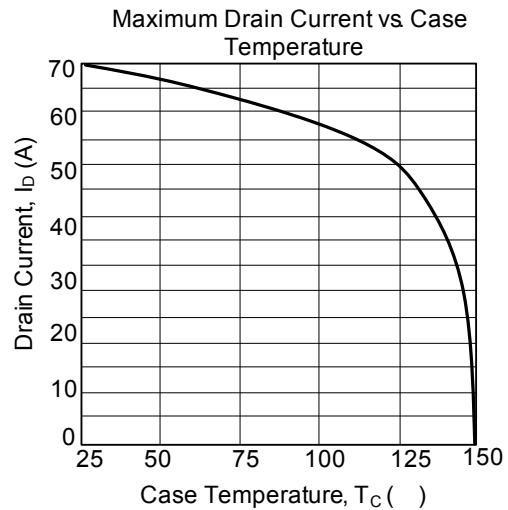
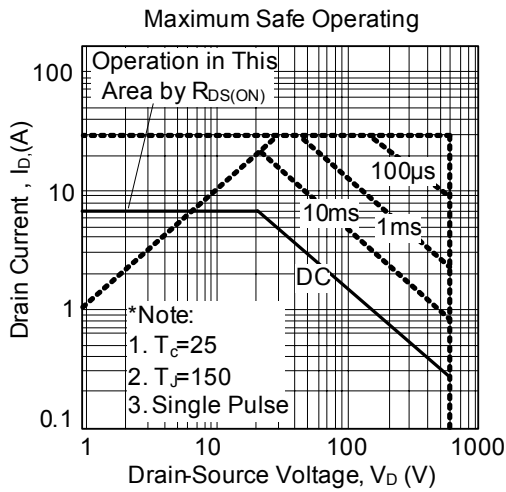
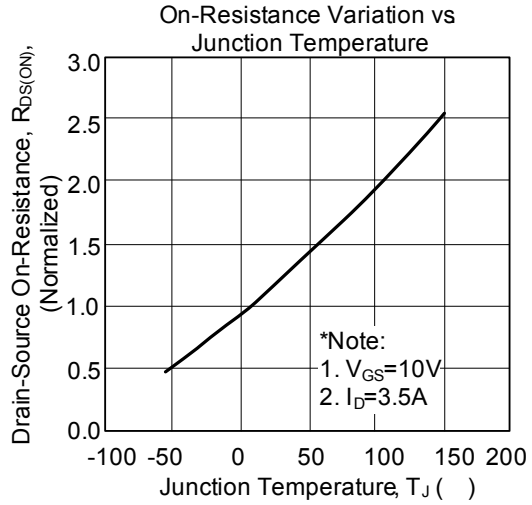
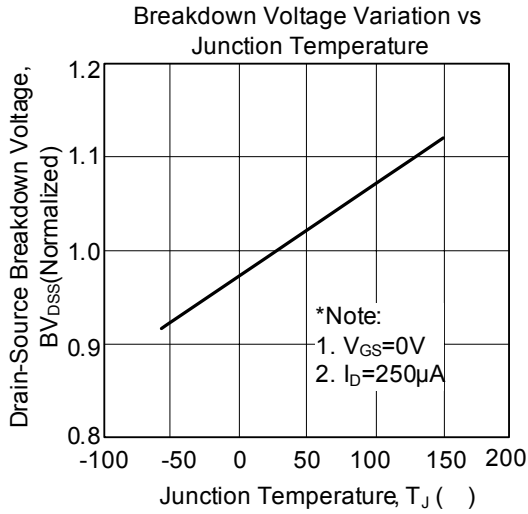


Fig. 4B Unclamped Inductive Switching Waveforms

TYPICAL CHARACTERISTICS



■ TYPICAL CHARACTERISTICS(Cont.)



UTC assumes no responsibility for equipment failures that result from using products at values that exceed, even momentarily, rated values (such as maximum ratings, operating condition ranges, or other parameters) listed in products specifications of any and all UTC products described or contained herein. UTC products are not designed for use in life support appliances, devices or systems where malfunction of these products can be reasonably expected to result in personal injury. Reproduction in whole or in part is prohibited without the prior written consent of the copyright owner. The information presented in this document does not form part of any quotation or contract, is believed to be accurate and reliable and may be changed without notice.